

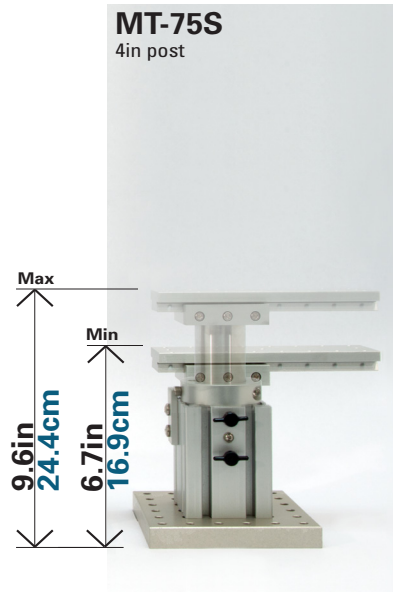
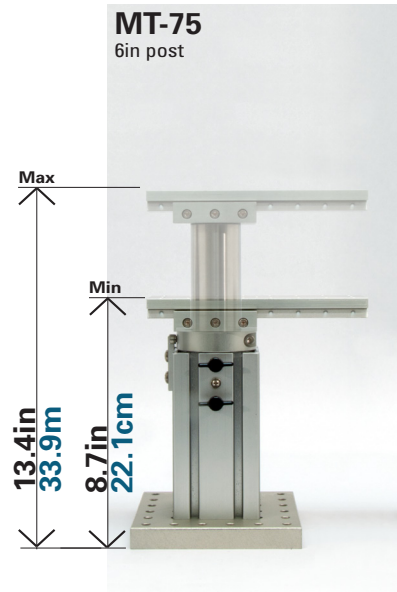
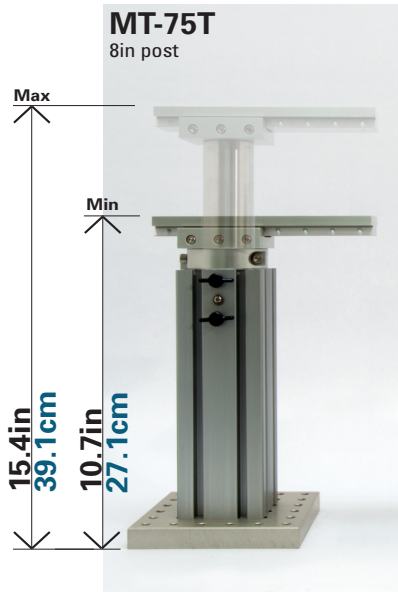


# MT-75 GANTRY STYLE STAND SELECTION GUIDE

For use with an inverted microscope. Independent tower solution when not using our MD manipulator or stage platforms.

For use with an upright microscope mounted on a translator.

For use with an upright microscope without a translator.

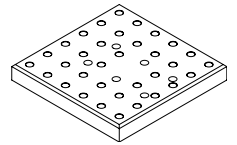


**SUTTER INSTRUMENT**

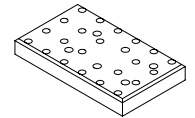
+1 415 883 0128 info@sutter.com www.sutter.com

## BASEPLATE OPTIONS

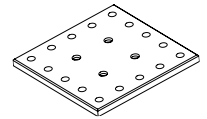
X700100  
**SQUARE**  
6in x 6in x 0.75in  
15.2cm x 15.2cm x 1.9cm



X700095  
**NARROW**  
3in x 5in x 0.75in  
7.6 cm x 12.7cm x 1.9cm



X700080  
**THIN**  
5in x 5in x 0.3in  
12.7cm x 12.7 cm x 0.76cm



The MT-75 stands come standard with the square baseplate. The narrow or thin baseplate can be substituted at the time of ordering at no additional charge.

BASEPLATE	MT-75T		MT-75		MT-75S	
	Min	Max	Min	Max	Min	Max
SQUARE AND NARROW	10.7in 27.1cm	15.4in 39.1cm	8.7in 22.1cm	13.4in 33.9cm	6.7in 16.9cm	9.6in 24.4cm
THIN	9.2in 23.4cm	14.9in 37.9cm	8.2in 20.9cm	12.9in 32.8cm	6.2in 15.8cm	8.7in 22.1cm