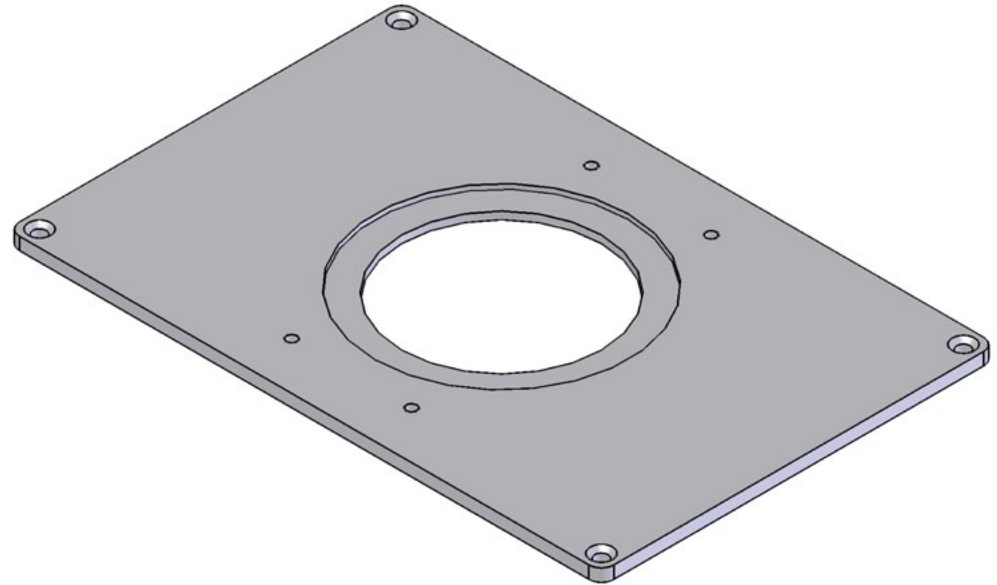
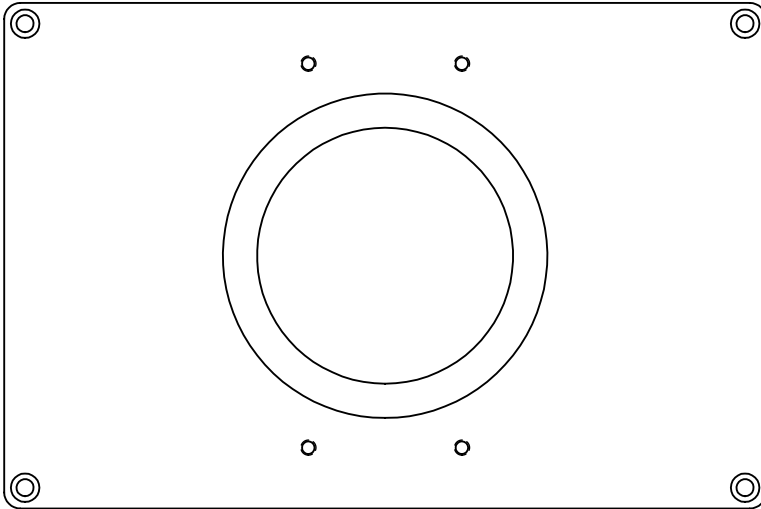


**Round Chamber Platform for Warner Series 20 (Warner PM) and Warner Culture Dish Incubator (Warner DH-35iL)**



**Used with following Sutter Instrument Stages**

<a href="#">MP-78</a>	<a href="#">MPC-78</a>	<a href="#">MT-78-FS</a>
<a href="#">MT-1078</a>	<a href="#">MT-2078</a>	<a href="#">MT-2278</a>

Part No	Material	Overall	ID	OD
X040500	Aluminum	101.6x152.4mm(4x6in)	50.8mm(2.0in)	64.4mm(2.5in)
X040503	Stainless St	101.6x152.4mm(4x6in)	50.8mm(2.0in)	64.4mm(2.5in)

*Click on product above to view detailed information*

