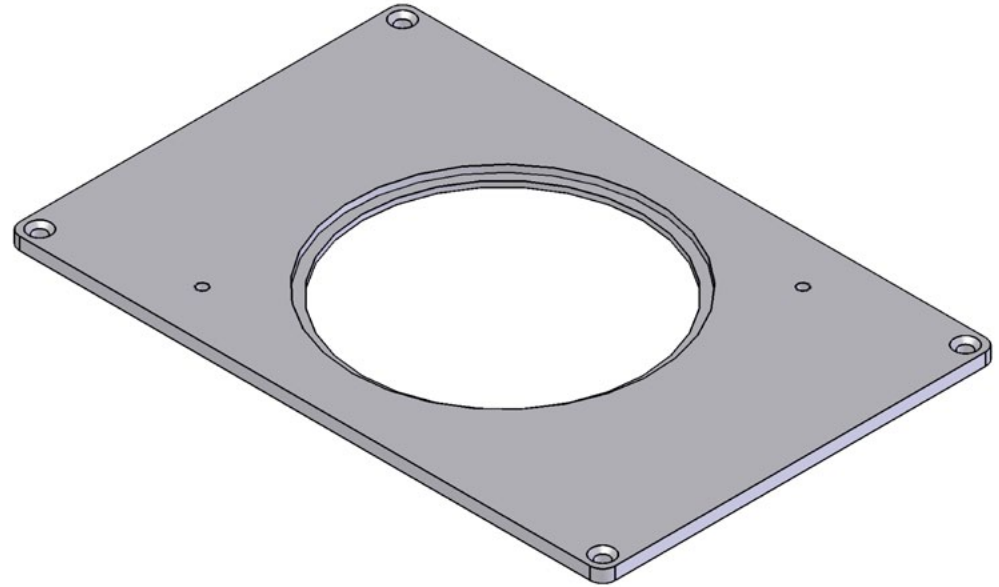
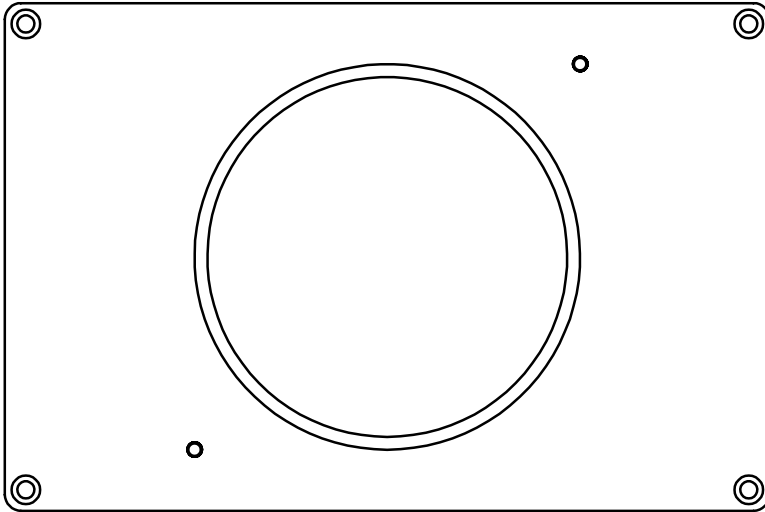


**Confocal Imaging Chamber Platform Warner Series 30 (Warner RC-20)**



Used with following Sutter Instrument Stages

<a href="#">MP-78</a>	<a href="#">MPC-78</a>	<a href="#">MT-78-FS</a>
<a href="#">MT-1078</a>	<a href="#">MT-2078</a>	<a href="#">MT-2278</a>

Part No	Material	Overall	ID	OD
SI-W30	Aluminum	101.6x152.4mm(4x6in)	53.3mm(2.1in)	58.4mm(2.3in)
SI-W30ST	Stainless St	101.6x152.4mm(4x6in)	53.3mm(2.1in)	58.4mm(2.3in)

*Click on product above to view detailed information*

