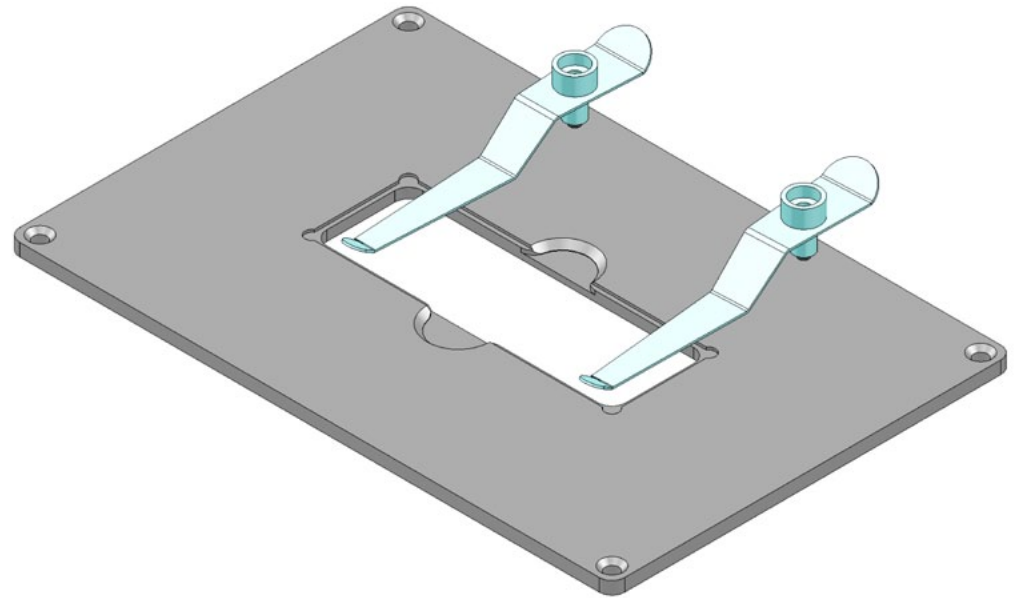
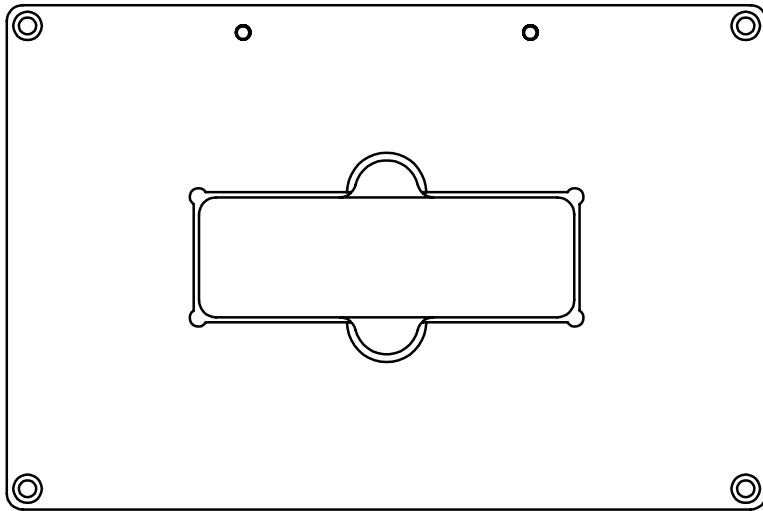


**Insert with Slide Holder**



**Used with following Sutter Instrument Stages**

<a href="#">MP-78</a>	<a href="#">MPC-78</a>	<a href="#">MT-78-FS</a>
<a href="#">MT-1078</a>	<a href="#">MT-2078</a>	<a href="#">MT-2278</a>

*Click on product above to view detailed information*

Part No	Material	Overall	Opening
SI-SLIDE	Aluminum	101.6x152.4mm(4x6in)	23.88x74.68mm(.94x2.94in)

