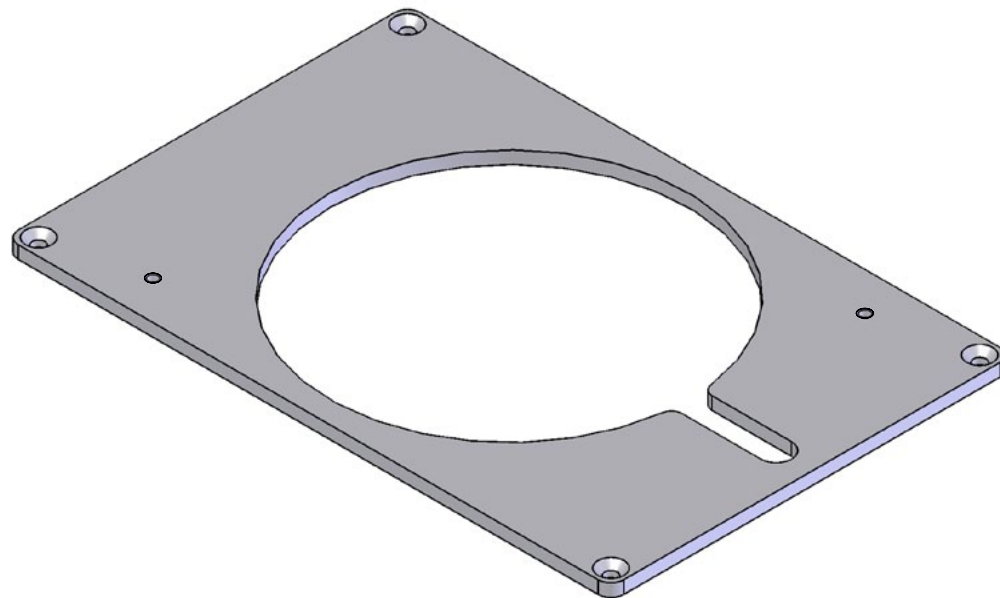
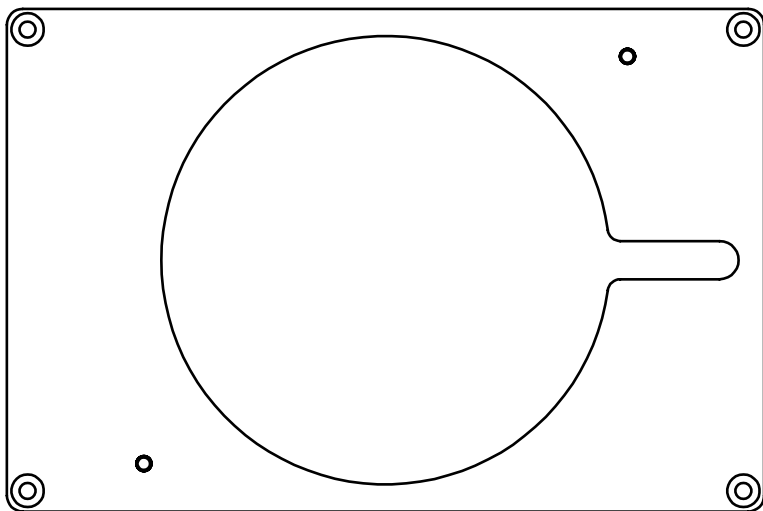


ALA Scientific Microscope Stage Mounting Plate (ALA MS-Stage) and ALA Scientific Heat Chamber Stage (ALA HCS)



Used with following Sutter Instrument Stages

MP-78	MPC-78	MT-78-FS
MT-1078	MT-2078	MT-2278

Click on product above to view detailed information

Part No	Material	Overall	Opening
SI-ALA-MS	Aluminum	101.6x152.4mm(4x6in)	90.0mm(3.5in)

